

200 A 15 and 25 kV class bushing well insulated plug



General

Eaton's Cooper Power Systems 200 A, 15 and 25 kV Class bushing well insulated plug meets the full requirements of IEEE Std 386™-2006 standard – Separable, Insulated Connector Systems. The bushing well plug provides an insulated, fully shielded, submersible cover for an unused 15 kV Class or 25 kV Class bushing well in deadfront equipment. The body is molded of high quality EPDM insulation and has a molded semi-conductive EPDM shield. A molded ground tab on the shield allows attachment of ground wire to ensure deadfront construction.

Installation

No special tools are required. The bushing well insulated plug is inserted in the bushing well of de-energized apparatus using a clampstick tool. Refer to Installation Instruction Sheet S500-20-1 for details.

Production tests

Tests are conducted in accordance with IEEE Std 386™-2006 standard.

- AC 60 Hz 1 Minute Withstand
 - 40 kV
- Minimum Corona Voltage Level
 - 19 kV

Test are conducted in accordance with Eaton's Cooper Power Systems requirements.

- Physical Inspection
- Periodic Dissection
- Periodic Fluoroscopic Analysis

Table 1. Voltage Ratings and Characteristics

Description	kV
Standard Voltage Class	25
Maximum Rating Phase-to-Phase	26.3
Maximum Rating Phase-to-Ground	15.2
AC 60 Hz 1 Minute Withstand	40
DC 15 Minute Withstand	78
BIL and Full Wave Crest	125
Minimum Corona Voltage Level	19

Voltage ratings and characteristics are in accordance with IEEE Std 386™-2006 standard

Ordering information

To order the 15 and 25 kV Class bushing well insulated plug kit, refer to Table 2.

Table 2. Bushing Well Insulated Plug Kit

Description	Catalog Number
Bushing Well Insulated Plug	IBWP225

Each kit contains:

- Bushing Well Insulated Plug
- Silicone Lubricant
- Installation Instruction Sheet

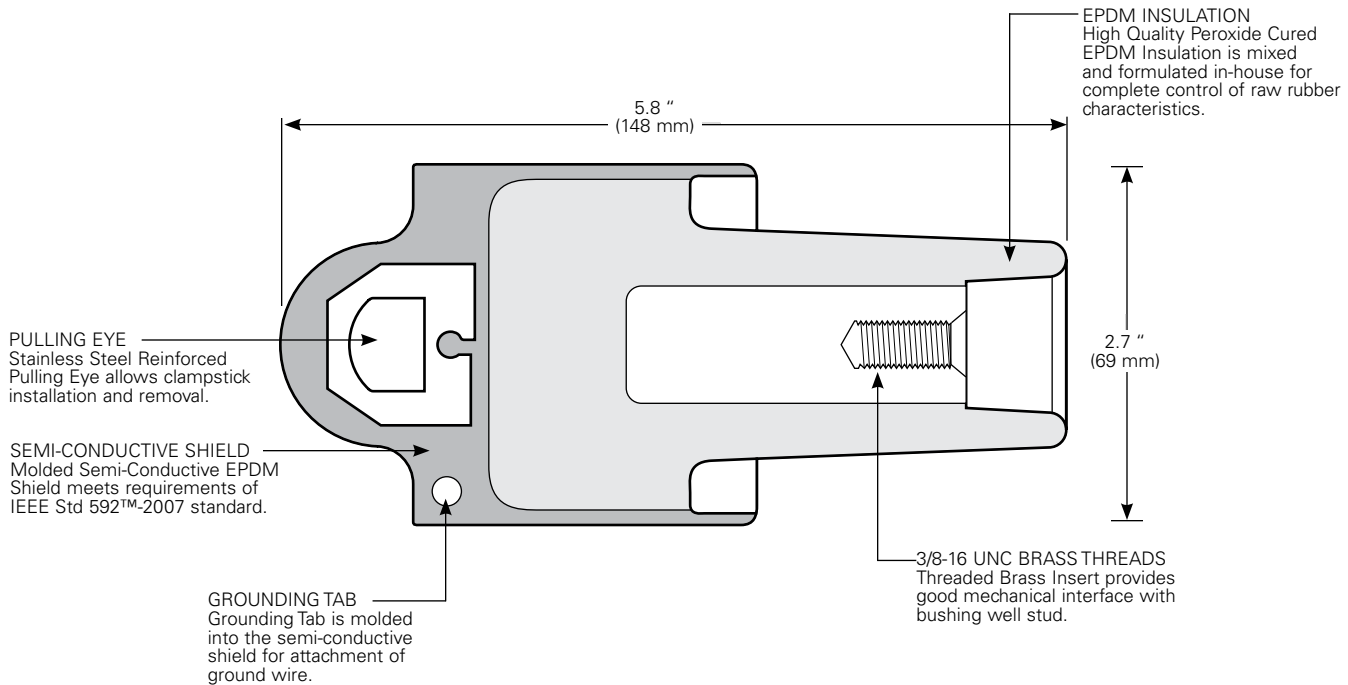


Figure 1. Dimensional drawing shows insulation layers and threaded brass insert for solid interface.

Note: Dimensions given are for reference only.

Eaton
1000 Eaton Boulevard
Cleveland, OH 44122
United States
Eaton.com

Eaton's Cooper Power Systems Business
2300 Badger Drive
Waukesha, WI 53188
United States
Cooperpower.com

© 2014 Eaton
All Rights Reserved
Printed in USA
Publication No. TD650010EN

Eaton and Cooper Power Systems are valuable trademarks of Eaton in the U.S. and other countries. You are not permitted to use these trademarks without the prior written consent of Eaton. IEEE Std 386™-2006 and Std 592™-2007 standards are trademarks of the Institute of Electrical and Electronics Engineers, Inc., (IEEE). This publication is not endorsed or approved by the IEEE.

For Eaton's Cooper Power Systems bushing well insulated plug product information call 1-877-277-4636 or visit: www.cooperpower.com.