

# Loadbreak Apparatus Connectors

## 200 A 15 kV Class Loadbreak Junction

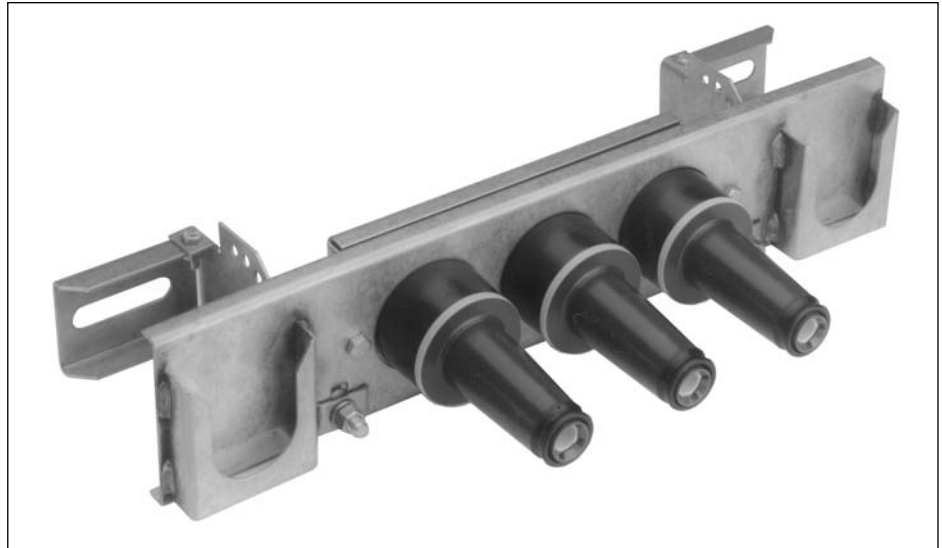
### GENERAL

The Cooper Power Systems 200 A, 15 kV Class Loadbreak Junction provides two, three or four 8.3/14.4 kV loadbreak interfaces that are internally bused together and meet all requirements of **IEEE Standard 386™** — Separable Insulated Connector Systems. Loadbreak junctions are used in pad-mounted apparatus, underground vaults, and other apparatus to sectionalize, establish loops, taps, or splices, and to facilitate apparatus changeouts. Sectionalizing a cable run to find and isolate a cable fault is made easy when a loadbreak junction is used with 15 kV Class loadbreak elbows and other accessories meeting the requirements of **IEEE Standard 386™**. When mated with a comparably rated product, the junction provides a fully shielded, submersible, separable connection for loadbreak operation.

The junction has a continuous solid current path of all copper alloy. No aluminum components are used. It also has an ablative arc interrupter with superior de-ionizing properties. The body is molded of high quality peroxide-cured EPDM insulation and has a molded on peroxide-cured semi-conductive EPDM shield.

Cooper's latch indicator ring, located on the circumference of the interface collar, eliminates the guesswork of loadbreak elbow installation on the interface. The bright yellow ring provides immediate feedback to determine if the elbow is properly installed on the junction. If the yellow ring is completely covered by the loadbreak elbow, the elbow is fully "latched." If the ring is visible, the elbow is not fully installed, so the operator can correct it before any problems occur.

The loadbreak junction has an adjustable stainless steel bracket for mounting at various operating angles on flat or curved surfaces, with up to 90° tilt in 10° increments. The solid backplated channel provides strong, rigid support of the junction for optimum loadbreak operation. Parking stands accommodate insulated standoff bushings or portable feedthrus. Drain wire clamps can each accommodate two wires up to 1/0 stranded (3/8" diameter).



**Figure 1.** Three-way Loadbreak Junction with latch indicator rings and adjustable bracket; also available as Two-way and Four-way.

Stainless steel "U" straps are available for direct wall mounting.

### ADDITIONAL AVAILABLE OPTIONS

For additional available options, refer to catalog section 650-10. Options include:

- In-line junctions with up to 6 positions
- Junctions with combinations of 200 A wells and 600 A bushings.
- "L" splice configurations.
- "Y" splice configurations. Single-phase and three-phase.
- Stacked configuration.

### INSTALLATION

No special tools are required. Junctions are bolted to the mounting surface. Refer to Installation Instruction Sheet S500-15-1 for details.

### PRODUCTION TESTS

Tests conducted in accordance with **IEEE Standard 386™**:

- AC 60 Hz 1 Minute Withstand – 34 kV
- Minimum Corona Voltage Level – 11 kV

Tests conducted in accordance with Cooper Power Systems requirements:

- Physical Inspection
- Periodic Dissection
- Periodic X-ray Analysis

**TABLE 1**  
Voltage Ratings and Characteristics

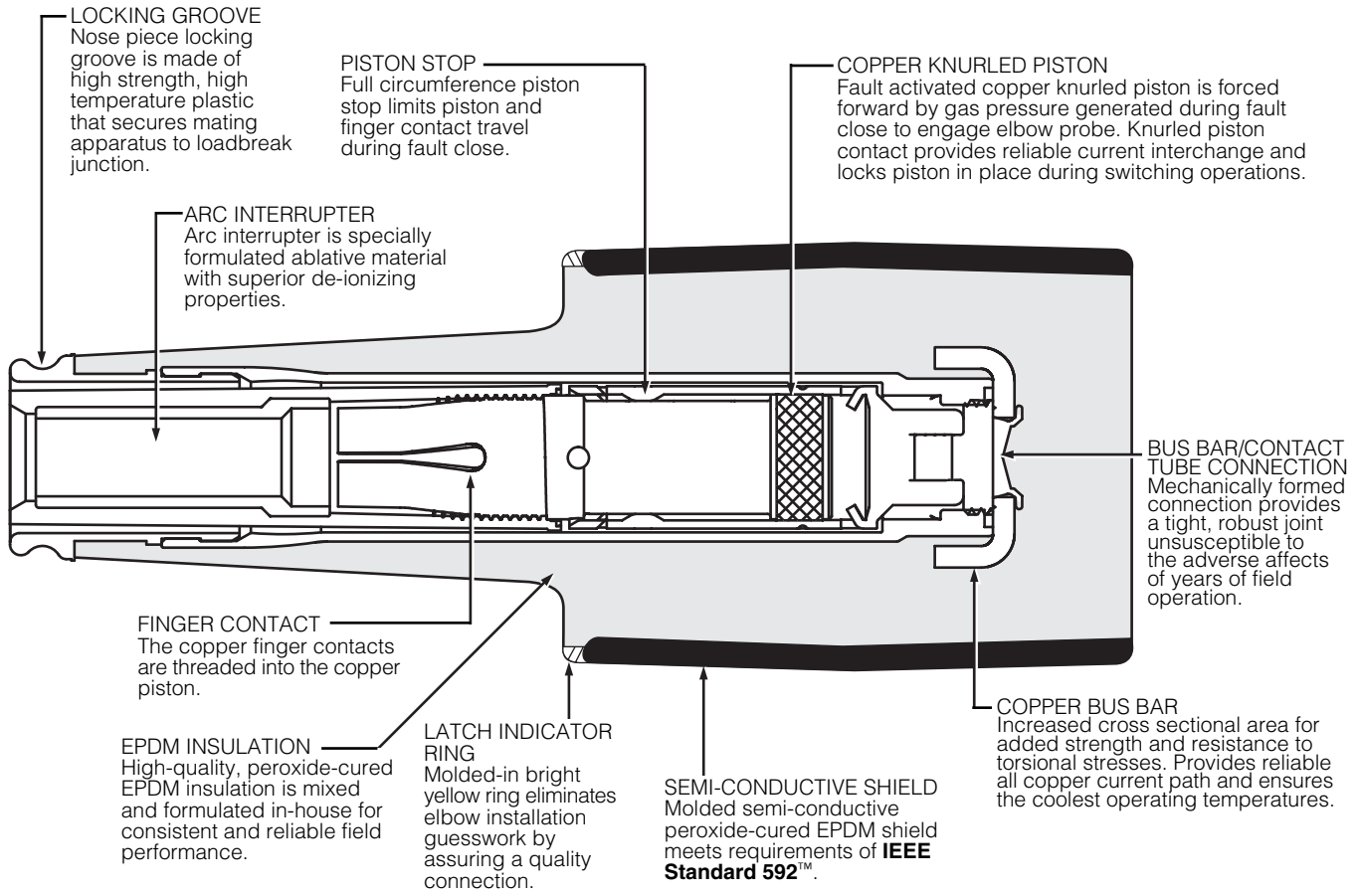
| Description                    | kV   |
|--------------------------------|------|
| Standard Voltage Class         | 15   |
| Maximum Rating Phase-to-Phase  | 14.4 |
| Maximum Rating Phase-to-Ground | 8.3  |
| AC 60 Hz 1 Minute Withstand    | 34   |
| DC 15 Minute Withstand         | 53   |
| BIL and Full Wave Crest        | 95   |
| Minimum Corona Voltage Level   | 11   |

Voltage ratings and characteristics are in accordance with **IEEE Standard 386™**.

**TABLE 2**  
Current Ratings and Characteristics

| Description   | Amperes  |
|---------------|--|
| Continuous    | 200 A rms  |
| Switching     | 10 operations at 200 A rms at 14.4 kV  |
| Fault Closure | 10,000 A rms symmetrical at 14.4 kV for 0.17 s after 10 switching operations |
| Short Time    | 10,000 A rms symmetrical for 0.17 s<br>3,500 A rms symmetrical for 3.0 s     |

Current ratings and characteristics are in accordance with **IEEE Standard 386™**.



**Figure 2.** Illustration shows cutaway of loadbreak junction with continuous current path of all copper alloy. Field proven, all copper alloy current path ensures the coolest operating temperatures and reliable current flow.

**ORDERING INFORMATION**

To order the 15 kV Class (8.3/14.4 kV) Loadbreak Junction, refer to Table 3.

Each kit contains:

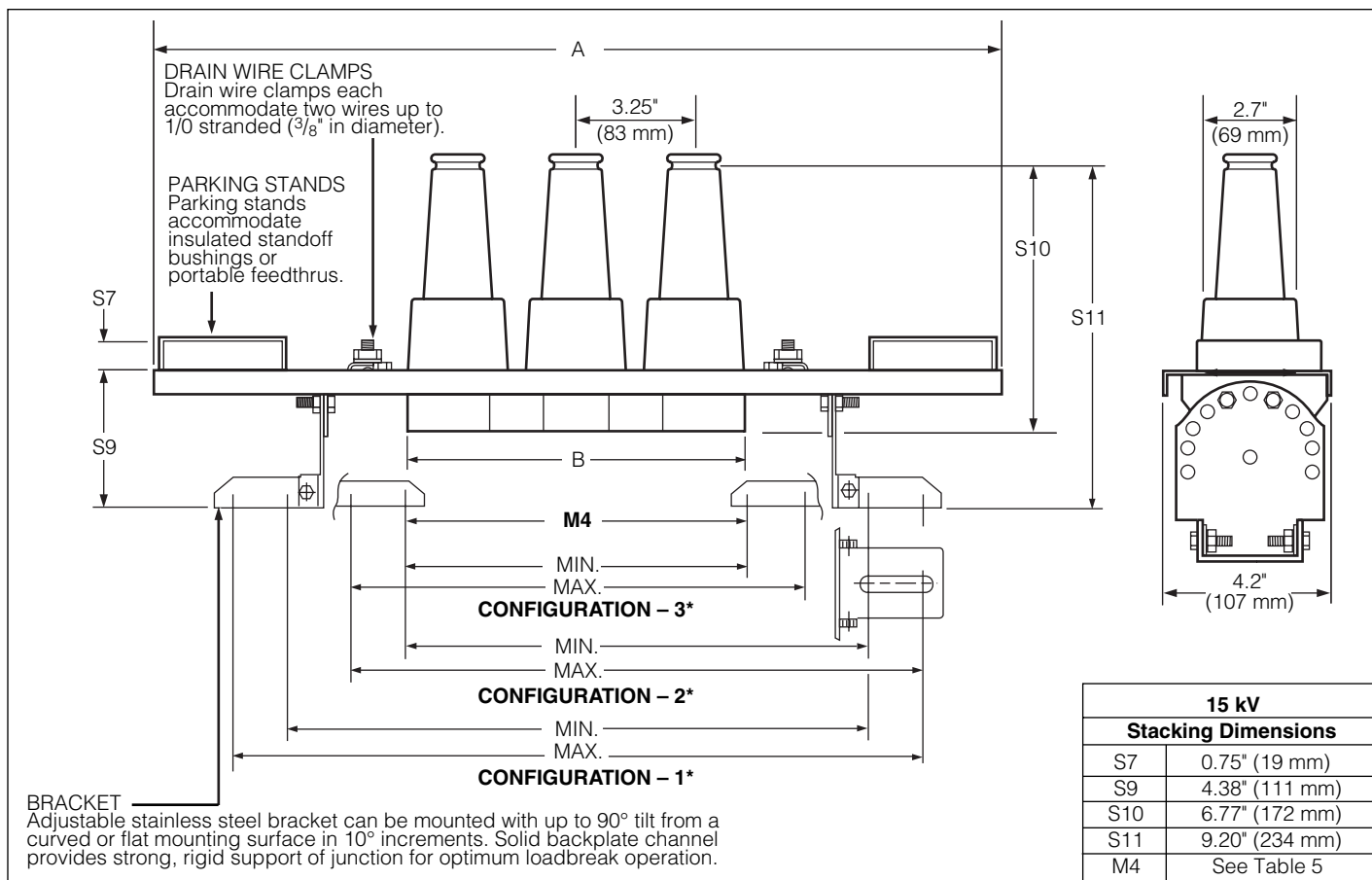
- Loadbreak Junction (with mounting bracket or straps, depending on product ordered)
- Shipping Caps (not for energized operation)
- Silicone Lubricant
- Installation Instruction Sheet

**TABLE 4**  
**Replacement Parts**

| Description                              | Catalog Number |
|--|----------------|
| U-Strap Kit with Hardware (1 strap)      | 2625439A16B    |
| Stainless Steel Bracket Assembly (2-way) | 2637172B01BS   |
| Stainless Steel Bracket Assembly (3-way) | 2637172B02BS   |
| Stainless Steel Bracket Assembly (4-way) | 2637172B03BS   |

**TABLE 3**  
**Loadbreak Junctions**

| Number of Interfaces | Junction Only | Junction with U-Straps | Junction with Stainless Steel Bracket |
|----------------------|---------------|------------------------|---------------------------------------|
| 2                    | LJ215C2       | LJ215C2U               | LJ215C2B                              |
| 3                    | LJ215C3       | LJ215C3U               | LJ215C3B                              |
| 4                    | LJ215C4       | LJ215C4U               | LJ215C4B                              |



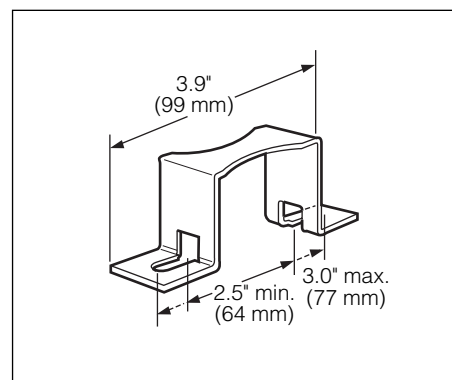
**Figure 3.**  
Dimensional drawing shows mounting configurations.

Note: Dimensions given are for reference only.

**TABLE 5**  
Dimensional Information

| Number of Interfaces | Physical Dimensions in. (mm) |               | M4 Mounting Dimensions in. (mm) |               |                 |               |                 |               |
|----------------------|------------------------------|---------------|---------------------------------|---------------|-----------------|---------------|-----------------|---------------|
|                      |                              |               | Configuration 1                 |               | Configuration 2 |               | Configuration 3 |               |
|                      | A                            | B             | Min.                            | Max.          | Min.            | Max.          | Min.            | Max.          |
| 2                    | 12.5<br>(318)                | 6.0<br>(152)  | 10.8<br>(275)                   | 14.4<br>(366) | 7.2<br>(183)    | 10.8<br>(275) | 3.6<br>(92)     | 7.2<br>(183)  |
| 3                    | 19.6<br>(498)                | 9.2<br>(230)  | 14.7<br>(374)                   | 18.3<br>(465) | 11.1<br>(282)   | 14.7<br>(374) | 7.4<br>(188)    | 11.1<br>(282) |
| 4                    | 22.9<br>(582)                | 12.4<br>(315) | 17.9<br>(455)                   | 21.5<br>(547) | 14.3<br>(364)   | 17.9<br>(455) | 10.7<br>(272)   | 14.3<br>(364) |

\* Configuration 1. Both feet turned out.  
 Configuration 2. One foot turned out, one in.  
 Configuration 3. Both feet turned in.



**Figure 4.**  
Stainless steel U-Strap for direct wall mount.

Note: Dimensions given are for reference only.

**ISO 9001:2000-Certified Quality Management System**

