

# 200 A 35 kV class three-phase loadbreak junction



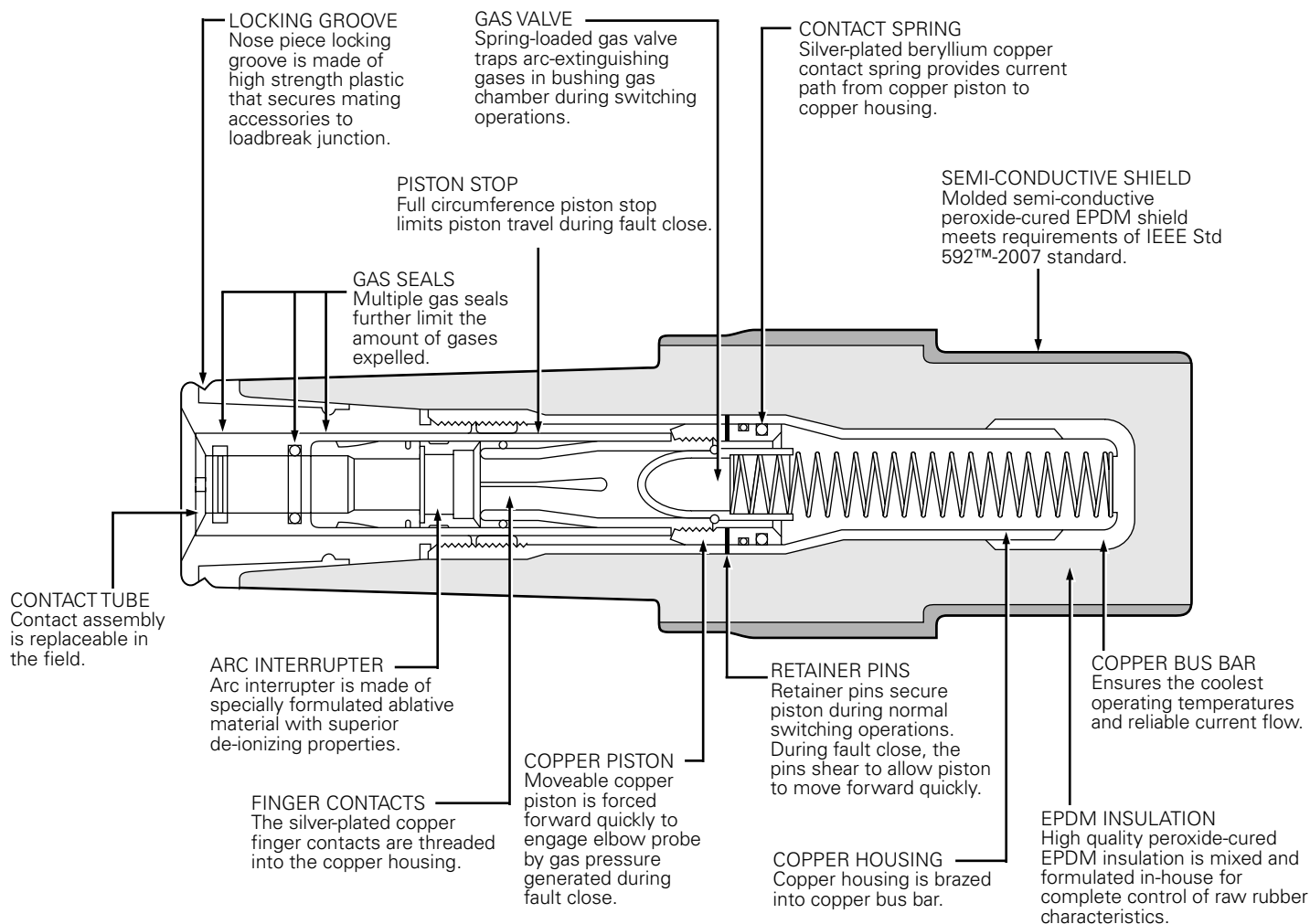
## General

Eaton's Cooper Power Systems 200 A, 35 kV Class three-phase loadbreak junction provides two, three or four 21.1/36.6 kV loadbreak interfaces that are internally bused together and meet all requirements of IEEE Std 386™-2006 standard – 200 A Loadbreak Interface No. 1A, 21.1/36.6 kV (large 35 kV Class interface). Loadbreak junctions are used in pad-mounted apparatus, underground vaults, and other apparatus to sectionalize, establish loops, taps and splices, and to facilitate apparatus change-outs. Sectionalizing a cable run to find and isolate a cable fault is made easy when a loadbreak junction is used with large interface 35 kV Class 21.1/36.6 kV three-phase loadbreak elbows and other accessories meeting the requirements of IEEE Std 386™-2006 standard

The 21.1/36.6 kV three-phase rated loadbreak junction should not be used with 21.1 kV single-phase rated loadbreak elbow connectors or grounding elbows. For quick identification, Eaton's Cooper Power Systems 21.1/36.6 kV three-phase rated loadbreak junctions are color coded with purple nose pieces. Mating 21.1/36.6 kV three-phase loadbreak elbow connectors (*Document 500-41, 200 A 35 kV Class Three-Phase (Purple Cuff) Loadbreak Elbow Connector*) have a molded purple cuff. Single-phase rated products are color coded with tan nose pieces and molded cuffs. When mated with comparably rated products, the junction provides a fully shielded, submersible, separable connection for loadbreak operation.

The junction has a continuous copper current path from female contact to female contact. No aluminum components are used. It also has ablative arc interrupters with excellent de-ionizing properties. The body is molded of high quality peroxide cured EPDM insulation and has a molded semi-conductive peroxide cured EPDM shield.

The loadbreak junction is available with an adjustable stainless steel bracket for mounting flat or at a 45° angle. Stainless steel "U" straps are available for direct wall mounting.



**Figure 1. Three-phase cutaway loadbreak junction. Field proven, all copper current path ensures the coolest operating temperatures and reliability.**

**Note:** Dimensions given are for reference only.

## Installation

No special tools are required. Junctions are bolted to the mounting surface. Refer to *Service Information S500-15-1 200 A 35 kV Class Loadbreak Junction Installation Instructions* for details.

## Production tests

Tests conducted in accordance with IEEE Std 386™-2006 standard:

- ac 60 Hz 1 Minute Withstand
  - 50 kV
- Minimum Corona Voltage Level
  - 26 kV

Tests are conducted in accordance with Eaton's Cooper Power Systems requirements.

- Physical Inspection
- Periodic Dissection
- Periodic Fluoroscopic (X-ray) Analysis

**Table 1. Voltage Ratings and Characteristics**

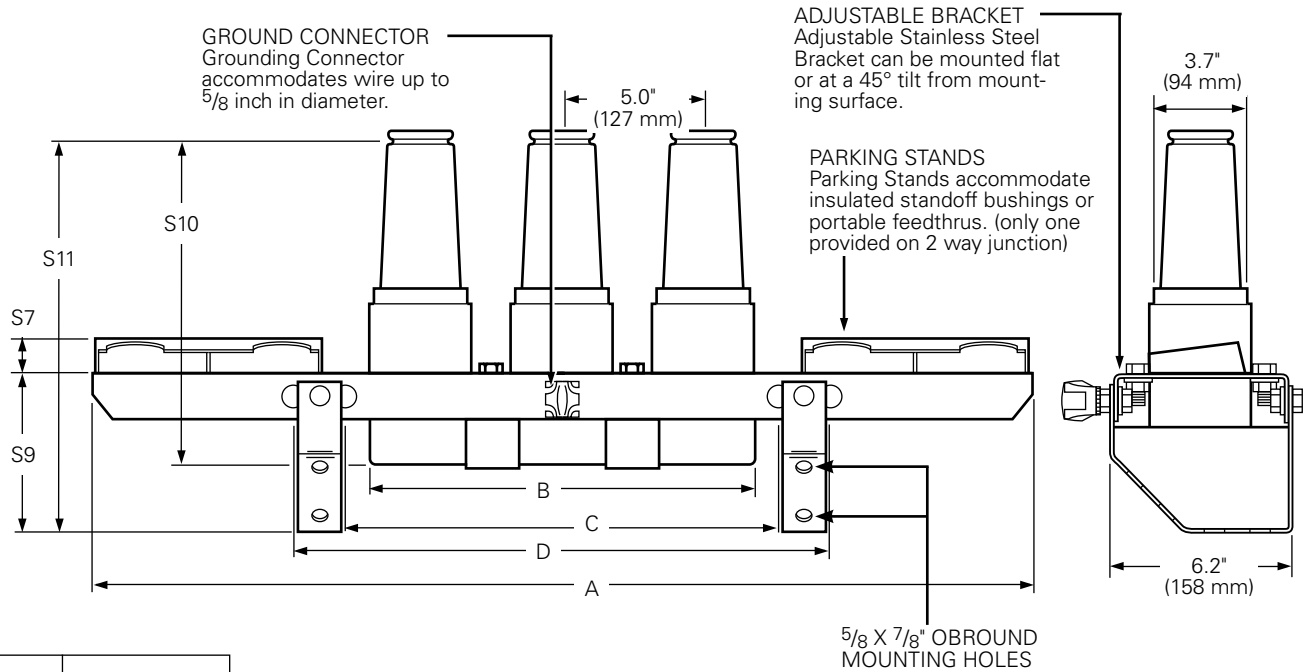
Description	kV
Standard Voltage Class	35
Maximum Rating Phase-to-Phase	36.6
Maximum Rating Phase-to-Ground	21.1
AC 60 Hz 1 Minute Withstand	50
DC 15 Minute Withstand	103
BIL and Full Wave Crest	150
Minimum Corona Voltage Level	26

Voltage ratings and characteristics are in accordance with IEEE Std 386™-2006 standard.

**Table 2. Current Ratings and Characteristics**

Description	Amperes
Continuous	200 A rms
Switching	10 operations at 200 A rms at 36.6 kV
Fault Closure	10,000 A rms symmetrical at 36.6 kV for 0.17 s after 10 switching operations
Short Time	10,000 A rms symmetrical for 0.17 s 3,500 A rms symmetrical for 3.0 s

Current ratings and characteristics are in accordance with IEEE Std 386™-2006 standard.



S Dim.	in (mm)
S7	1.02 (25.8)
S9	5.46 (139)
S10	11.52 (292.7)
S11	13.79.(350.2)

Figure 2. Three-phase junction shows mounting dimensions for 2-, 3- and 4-way interfaces. See Table 5 for dimensional information.

Note: Dimensions given are for reference only.

### Ordering information

To order a 35 kV Class (21.1/36.6 kV) three-phase loadbreak junction, specify the appropriate product from Table 3.

Each kit contains:

- Loadbreak Junction (with mounting bracket or straps, depending on product ordered)
- Shipping Caps (not for energized operation)
- Installation Instruction Sheet

Table 3. Loadbreak Junctions

Number of Interfaces	Junction Only	Junction with U-Straps	Junction with Bracket
2	LJ235C2	LJ235C2U	LJ235C2B
3	LJ235C3	LJ235C3U	LJ235C3B
4	LJ235C4	LJ235C4U	LJ235C4B

Table 4. Replacement Parts

Description	Catalog Number
Contact Tube	2637407B04B
Contact Tube Replacement Tool	2637585B01
U-Strap Kit with Hardware (1 strap)	2637570A01B
Stainless Steel Bracket Assembly (2-way)	2604688B01B
Stainless Steel Bracket Assembly (3-way)	2604688B02B
Stainless Steel Bracket Assembly (4-way)	2604688B03B

Table 5. Dimensional Information

Number of Interfaces	Mounting Dimensions in./mm			
	A	B	C	D
2	23.1	8.8	15.0	19.0
	(587)	(223)	(381)	(483)
3	33.3	13.8	15.0	19.0
	(846)	(350)	(381)	(483)
4	38.5	18.8	20.0	24.0
	(978)	(477)	(508)	(610)

Note: C and D are minimum and maximum stud centerline separations for mounting.

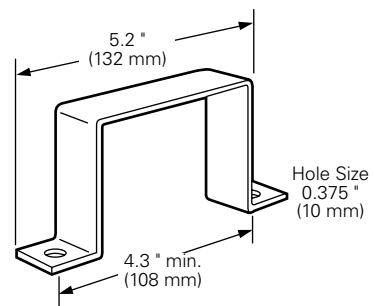


Figure 3. Stainless steel U-Strap for direct wall mount.

Note: Dimensions given are for reference only.

**Eaton**  
1000 Eaton Boulevard  
Cleveland, OH 44122  
United States  
Eaton.com

**Eaton's Cooper Power Systems Business**  
2300 Badger Drive  
Waukesha, WI 53188  
United States  
Cooperpower.com

© 2014 Eaton  
All Rights Reserved  
Printed in USA  
Publication No. TD650006EN

Eaton and Cooper Power Systems are valuable trademarks of Eaton in the U.S. and other countries. You are not permitted to use these trademarks without the prior written consent of Eaton. IEEE Std 592™-2007 and Std 386™-2006 standards are trademarks of the Institute of Electrical and Electronics Engineers, Inc., (IEEE). This publication is not endorsed or approved by the IEEE.

For Eaton's Cooper Power Systems loadbreak junction product information call 1-877-277-4636 or visit: [www.cooperpower.com](http://www.cooperpower.com).