

# 600 A 15 kV class BT-TAP™ deadbreak connector



## General

Eaton's Cooper Power™ series 600 A 15 kV Class BT-TAP™ deadbreak connector is used to terminate high-voltage underground cable to transformers, switches, switchgear and other apparatus. It is designed for use with unthreaded connectors, to easily retrofit existing 600 A BOL-T™ installations or in new installations where a 200 A interface is required and where the system will not need to be frequently operated. If the system will be frequently operated to sectionalize or to achieve a visible break or ground, Eaton's Cooper Power series recommends the use of the T-OP™ II Connector System. (See catalog section 600-12.) The BT-TAP deadbreak connector is fully shielded, submersible and meets the requirements of IEEE Std 386™ standard — "Separable Insulated Connector Systems".

The 200 A, three-phase rated loadbreak interface provides a means for obtaining a direct conductor test, visible ground and provides a convenient location for an Eaton's Cooper Power series M.O.V.E. arrester or grounding elbow.

Eaton's Cooper Power series offers an optional capacitive test point similar to test points on our 200 A elbow connectors. This allows use of our Type "TPR" Series Fault Indicators, and provides a hotstick operable means of determining circuit condition when used with high impedance voltage sensing devices designed for test points.

BT-TAP connectors are designed for use on solid dielectric cable (XLPE or EPR) with extruded semi-conductive shields and concentric neutral, with or without a jacket.

Installation on jacketed concentric neutral cable may require additional sealing material. Cold shrinkable adapters are available for tape shield, linear corrugated, unshield, and drain wire cables for use with deadbreak connectors.

**EAT•N**

*Powering Business Worldwide*

## 900 AMP rating

The BT-TAP connector is rated for 900 A continuous when used with a coppertop compression connector and copper bushing or junction. If a 900 A rating is desired, specify a "C" as the 10th digit when determining your part number. See Step 3, page 4.

## Interchangeability

All Eaton's Cooper Power series 600 A deadbreak connectors conform to the electrical, mechanical and dimensional requirements of IEEE Std 386™ standard. The connectors can be used on any comparably rated bushing interface that also meets the requirements of this standard. In addition, all T-bodies, cable adapters, insulating plugs and compression connectors are designed to be interchangeable with those currently available from other major manufacturers that also certify their components to IEEE Std 386™ standard.

## Installation

The T-body is assembled onto prepared cable with an unthreaded compression or shear bolt connector. The stud provided with the kit, is torqued onto a de-energized 600 A bushing. Using a T-WRENCH, the loadbreak reducing tap plug is threaded onto the stud drawing the entire assembly tight to the apparatus bushing. The assembly is then torqued to the apparatus bushing using a torque wrench. Refer to *Service Information S600-15-3, 600 A 15 and 25 kV Class BT-TAP Connector System Installation Instructions* for details.

## Production tests

Tests conducted in accordance with IEEE Std 386™ standard:

- ac 60 Hz 1 Minute Withstand
  - 34 kV
- Minimum Partial Discharge Extinction Voltage
  - 11 kV

Tests conducted in accordance with Eaton's Cooper Power series requirements:

- Physical Inspection
- Periodic Dissection
- Periodic X-ray Analysis

**Table 1. Voltage Ratings and Characteristics**

Description	kV
Standard Voltage Class	15
Maximum Rating Phase-to-Phase (loadbreak reducing tap plug only)	14.4
Maximum Rating Phase-to-Ground	8.3
ac 60 Hz 1 Minute Withstand	34
dc 15 Minute Withstand	53
BIL and Full Wave Crest	95
Minimum Partial Discharge Extinction Voltage	11

Voltage ratings and characteristics are in accordance with IEEE Std 386™ standard.

**Table 2. Current Ratings and Characteristics**

Description	Amperes
<b>600 A Interface</b>	
Continuous	600 A rms (Aluminum) 900 A rms (Copper)
4 Hour Overload	900 A rms (Aluminum) 1,200 A rms (Copper)
Short Time	25,000 A rms symmetrical for 0.17 s 10,000 A rms symmetrical for 4.0 s
<b>200 A Interface*</b>	
Continuous	200 A rms
Switching	10 operations at 200 rms at 14.4 kV phase-to-phase
Fault Closure	10,000 A rms symmetrical at 14.4 kV phase-to-phase for 0.17 s after 10 switching operations
Short Time	10,000 A rms symmetrical for 0.17 s 3,500 A rms symmetrical for 3.0 s

Current ratings and characteristics are in accordance with IEEE Std 386™ standard.

\* System design and protection must recognize the ratings of 200 A interface.

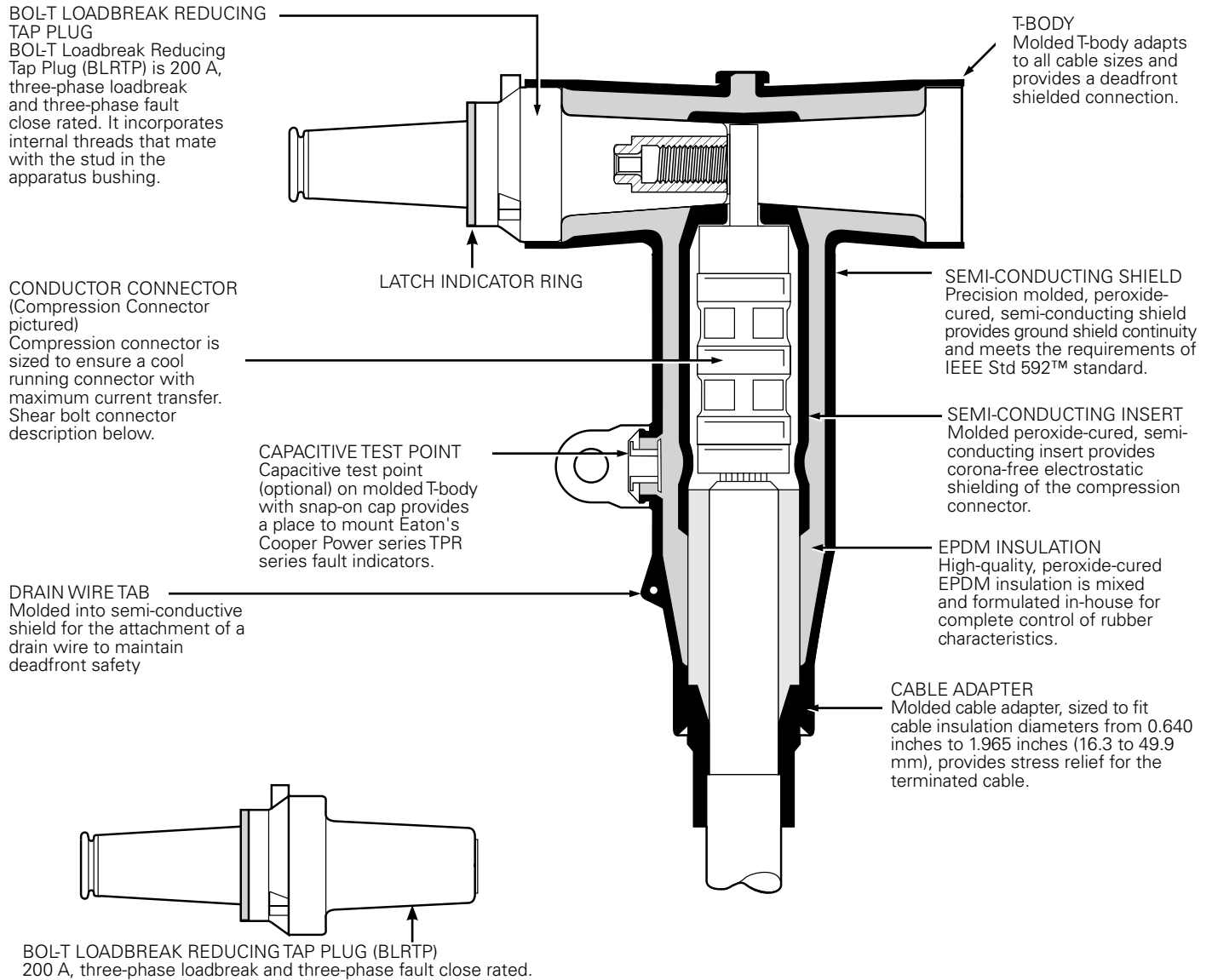


Figure 1. Cutaway drawing illustrates design features.

**Optional features**

**Protective cap**

200 A insulated protective cap fits over loadbreak reducing tap plug for deadfront shielding.

**Capacitive test point**

Capacitive test point on molded T-body, with snap-on cap, provides a place to mount Eaton's Cooper Power series TPR series fault indicators.

**Shear bolt connector (optional)**

Bolted cable lug is fitted with stepless bolts, which shear off when optimum contact force has been reached. Provides electrical continuity for copper and aluminum conductors while eliminating need for dies and compression tools.



Figure 2. Shear bolt connector

**BT-TAP connector kit – catalog numbering system**

Build the 12 digit catalog number for a 15 kV BT-TAP Kit by following the steps given below. The first 6 digits are always "BTP615"; only digits 7 through 12 need to be selected.

1	2	3	4	5	6	7	8	9	10	11	12	13	14
B	T	P	6	1	5								

**Catalog Number Digits:**

1, 2 & 3 = "BTP," BT-TAP Connector System

4 = "6," 600 A System

5 & 6 = "15," 15 kV Class Bushing Interface

**Step 1 – Select Digits 7 and 8 Cable Adapter Range Code**

Determine the cable's diameter over the electrical insulation as shown in Figure 4 (including tolerances).

Then identify a cable range from Table 3 that covers the minimum and maximum insulation diameters.

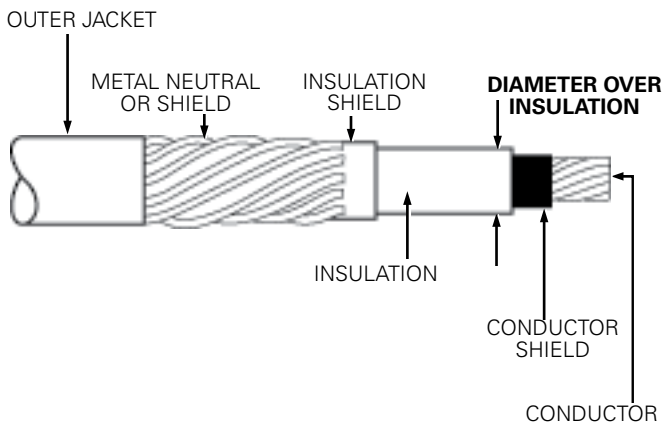
Select the correct CABLE RANGE CODE from Table 3.

**Step 2 – Select Digits 9 and 10 Conductor Code**

**Table 3. Cable Diameter Range**

Inches	mm	Code
0.610-0.970	15.5-24.6	<b>AB</b>
0.750-1.080	19.1-27.4	<b>CC</b>
0.970-1.310	24.6-33.3	<b>DD</b>
1.090-1.470	27.7-37.3	<b>EE</b>
1.260-1.640	32.0-41.7	<b>FF</b>
1.360-1.710	34.5-43.4	<b>GG</b>
1.510-1.850	38.4-47.0	<b>HH</b>
1.700-1.970	43.2-50.0	<b>JJ</b>

Identify the conductor size and type in Table 4 and select the



**Figure 3. Illustration showing typical construction of medium voltage underground cable.**

CONDUCTOR CODE from the appropriate (compression or shear bolt) column.

**Step 3 – Select Digit 11**

Determine whether 600 A or 900 A Rating is required. Shear bolt is only available as 600 A Aluminum Connector.

"A" = 600 A Rating (Aluminum Compression or Shear Bolt Connector, Aluminum Stud and Aluminum Reducing Tap Plug)

"C" = 900 A Rating (Coppertop Compression Connector, Copper Stud and Copper Reducing Tap Plug)

**Step 4 – Select Digit 12**

Determine if a standard length or extended length stud is required.

S = Standard Length

L = Extended Length

**Step 5 – Select Digit 13 (optional)**

Determine if the T-body should have a test point.

T = Test Point on T-body

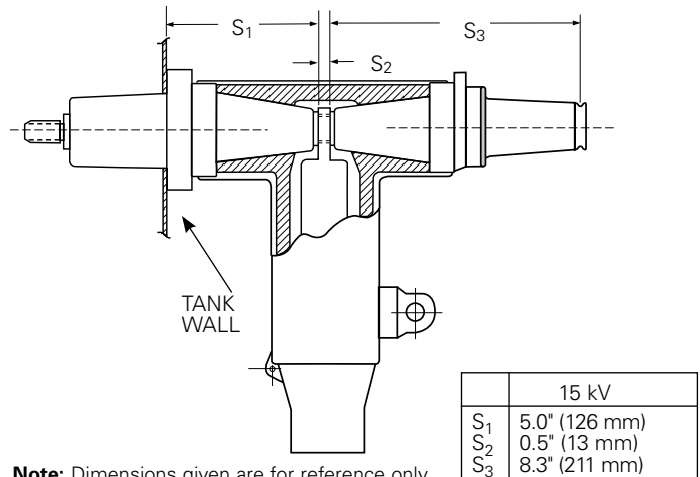
If no test point is required, do not include a 13th digit.

**Step 6 – Select Digit 14 (optional)**

Determine whether a 15 kV, 200 A protective cap is required in the kit.

C = Protective Cap

If no cap is required, do not include a 14th digit.



**Note:** Dimensions given are for reference only.

**Figure 4. BT-TAP profile and stacking dimensions from Figure 11A of IEEE Std 386™ standard.**

Table 4. Conductor Size and Type

Compression Connector					Shear Bolt Connector						
Concentric or Compressed		Compact or Solid		Compression Conductor Code	AWG or Kcmil			mm <sup>2</sup> Stranded & Compressed		Shear Bolt Conductor Code	Catalog Number
AWG or kcmil	mm <sup>2</sup>	AWG or kcmil	mm <sup>2</sup>		Concentric	Compressed	Compact	min	max		
No Connector				<b>0</b>	3/0	3/0	3/0				
#2	35	1	-	<b>11</b>	4/0	4/0	4/0	95	150	<b>S1</b>	CDT630SB150
#1	-	1/0	50	<b>12</b>	250	250	250				
1/0	50	2/0	70	<b>13</b>	-	-	350				
2/0	70	3/0	-	<b>14</b>	350	350	-	185	300	<b>S3</b>	CDT630SB300
3/0	-	4/0	95	<b>15</b>	500	500	500				
4/0	95	250	120	<b>16</b>	600	600	600				
250	120	300	-	<b>17</b>	-	-	700	400		<b>S4</b>	CDT630SB400
300	-	350	-	<b>18</b>	700	700	-				
350	-	400	185	<b>19</b>	750	750	750				
400	185	450	-	<b>20</b>	-	800	800				
450	-	500	240	<b>21</b>	-	-	900				
500	240	600	300	<b>22</b>							
600	300	700	-	<b>23</b>							
650	-	750	-	<b>24</b>							
750	-	900	-	<b>25</b>							
900	-	1000	500	<b>26</b>							
1000	500	-	-	<b>27</b>							
1250	630	-	-	<b>28</b>							

Effective January 2015

To order replacement parts and tools, refer to Table 5.

To order replacement compression connectors and cable adapters for a BT-TAP Connector System, see section 600-46 "Deadbreak Accessories, Tools and Replacement Parts."

**Table 5. Replacement Parts and Tools**

<b>Description</b>	<b>Catalog Number</b>
T-body without Test Point	DT625
T-body with Test Point	DT625T
Hex Wrench	HD625
Aluminum Stud, Standard Length	STUD-A
15 kV, 200 A Insulated Protective Cap	LPC215
BOL-T Loadbreak Reducing Tap Plug "BLRTP", aluminum	BLRTP615A
BOL-T Loadbreak Reducing Tap Plug "BLRTP", copper	BLRTP615C
BOL-T Loadbreak Reducing Tap Plug "BLRTP", aluminum with stud	BLRTP615AS
BOL-T Loadbreak Reducing Tap Plug "BLRTP", aluminum with stud, Factory installed	BLRTP615ASP
BOL-T Loadbreak Reducing Tap Plug "BLRTP", copper with stud	BLRTP615CS
BOL-T Loadbreak Reducing Tap Plug "BLRTP", copper, Factory installed	BLRTP615CSP
Aluminum Stud, Extended Length	STUDAL
Copper Stud, Standard Length	STUD-C
Copper Stud, Extended Length	STUDCL

**Note:** The standard packaging for the BLRTP is a sealed plastic bag. Add "X" to the end of the catalog number for an individual box.

This page intentionally left blank.

**Eaton**  
1000 Eaton Boulevard  
Cleveland, OH 44122  
United States  
Eaton.com

2300 Badger Drive  
Waukesha, WI 53188  
United States  
Cooperpower.com

© 2015 Eaton  
All Rights Reserved  
Printed in USA  
Publication No. CA650002EN

Eaton, Cooper Power, BOLT, T-OP, and BT-TAP are valuable trademarks of Eaton in the U.S. and other countries. You are not permitted to use these trademarks without the prior written consent of Eaton.  
IEEE Std 386™ and Std 592™ standards are trademarks of the Institute of Electrical and Electronics Engineers, Inc., (IEEE). This publication is not endorsed or approved by the IEEE.

For Eaton's Cooper Power series BT-TAP deadbreak connector product information call 1-877-277-4636 or visit: [www.cooperpower.com](http://www.cooperpower.com).