

600 A 25 kV class BT-TAP™ deadbreak connector



General

Eaton's Cooper Power™ series 600 A, 25 kV Class BT-TAP™ deadbreak connector is used to terminate high-voltage underground cable to transformers, switches, switchgear and other apparatus. It is designed for use with unthreaded connectors, to easily retrofit existing 600 A BOLT™ connector installations or in new installations where a 200 A interface is required and where the system will not need to be frequently operated. If the system will be frequently operated to sectionalize or to achieve a visible break or ground, Eaton's Cooper Power series recommends the use of Eaton's Cooper Power series T-OP™ II connector system. (See catalog section 600-32.) The BT-TAP deadbreak connector is fully shielded, submersible and meets the requirements of IEEE Std 386™-2006 standard — "Separable Insulated Connector Systems".

The 200 A, three-phase rated loadbreak interface provides a means for obtaining a direct conductor test, visible ground and provides a convenient location for an Eaton's Cooper Power series M.O.V.E. arrester or grounding elbow.

Eaton's Cooper Power series offers an optional capacitive test point similar to test points on our 200 A elbow connectors. This allows use of Eaton's Cooper Power series Type "TPR" series fault indicators, and provides a hotstick operable means of determining circuit condition when used with high impedance voltage sensing devices designed for test points.

BT-TAP connectors are designed for use on solid dielectric cable (XLPE or EPR) with extruded semiconductive shields and concentric neutral, with or without a jacket.

Installation on jacketed concentric neutral cable may require additional sealing material. Cold shrinkable adapters are available for tape shield, linear corrugated, unshielded, and drain wire cables for use with deadbreak connectors.

EATON

Powering Business Worldwide

900 AMP rating

The BT-TAP connector is rated for 900 A continuous when used with a coppertop compression connector and copper bushing or junction. If a 900 A rating is desired, specify a "C" as the 10th digit when determining your part number. See Step 3, page 4.

Interchangeability

All Eaton's Cooper Power series 600 A deadbreak connectors conform to the electrical, mechanical and dimensional requirements of IEEE Std 386™-2006 standard. The connectors can be used on any comparably rated bushing interface that also meets the requirements of this standard. In addition, all T-bodies, cable adapters, insulating plugs and connectors are designed to be interchangeable with those currently available from other major manufacturers that also certify their components to IEEE Std 386™-2006 standard.

Installation

The T-body is assembled onto prepared cable with an unthreaded compression or shear bolt connector. The stud provided with the kit, is torqued onto a de-energized 600 A bushing. Using a T-WRENCH, the loadbreak reducing tap plug is threaded onto the stud drawing the entire assembly tight to the apparatus bushing. The assembly is then torqued to the apparatus bushing using a torque wrench. Refer to Installation Instruction Sheet S600-15-3 for details.

Production tests

Tests conducted in accordance with IEEE Std 386™-2006 standard:

- ac 60 Hz 1 Minute Withstand
 - 40 kV
- Minimum Partial Discharge Extinction Voltage
 - 19 kV

Tests conducted in accordance with Eaton's Cooper Power series requirements:

- Physical Inspection
- Periodic Dissection
- Periodic X-ray Analysis

Table 1. Voltage Ratings and Characteristics

Description	kV
Standard Voltage Class	25
Maximum Rating Phase-to-Phase (loadbreak reducing tap plug only)	26.3
Maximum Rating Phase-to-Ground	15.2
ac 60 Hz 1 Minute Withstand	40
dc 15 Minute Withstand	78
BIL and Full Wave Crest	125
Minimum Partial Discharge Extinction Voltage	19

Voltage ratings and characteristics are in accordance with IEEE Std 386™-2006 standard.

Table 2. Current Ratings and Characteristics

Description	Amperes
600 A Interface	
Continuous	600 A rms (Aluminum) 900 A rms (Copper)
4 Hour Overload	900 A rms (Aluminum) 1,200 A rms (Copper)
Short Time	25,000 A rms symmetrical for 0.17 s 10,000 A rms symmetrical for 3.0 s
200 A Interface*	
Continuous	200 A rms
Switching	10 operations at 200 rms at 26.3 kV phase-to-phase
Fault Closure	10,000 A rms symmetrical at 26.3 kV phase-to-phase for 0.17 s after 10 switching operations
Short time	10,000 A rms symmetrical for 0.17 s 3,500 A rms symmetrical for 3.0 s

Current ratings and characteristics are in accordance with IEEE Std 386™-2006 standard.

* System design and protection must recognize the ratings of 200 A interface.

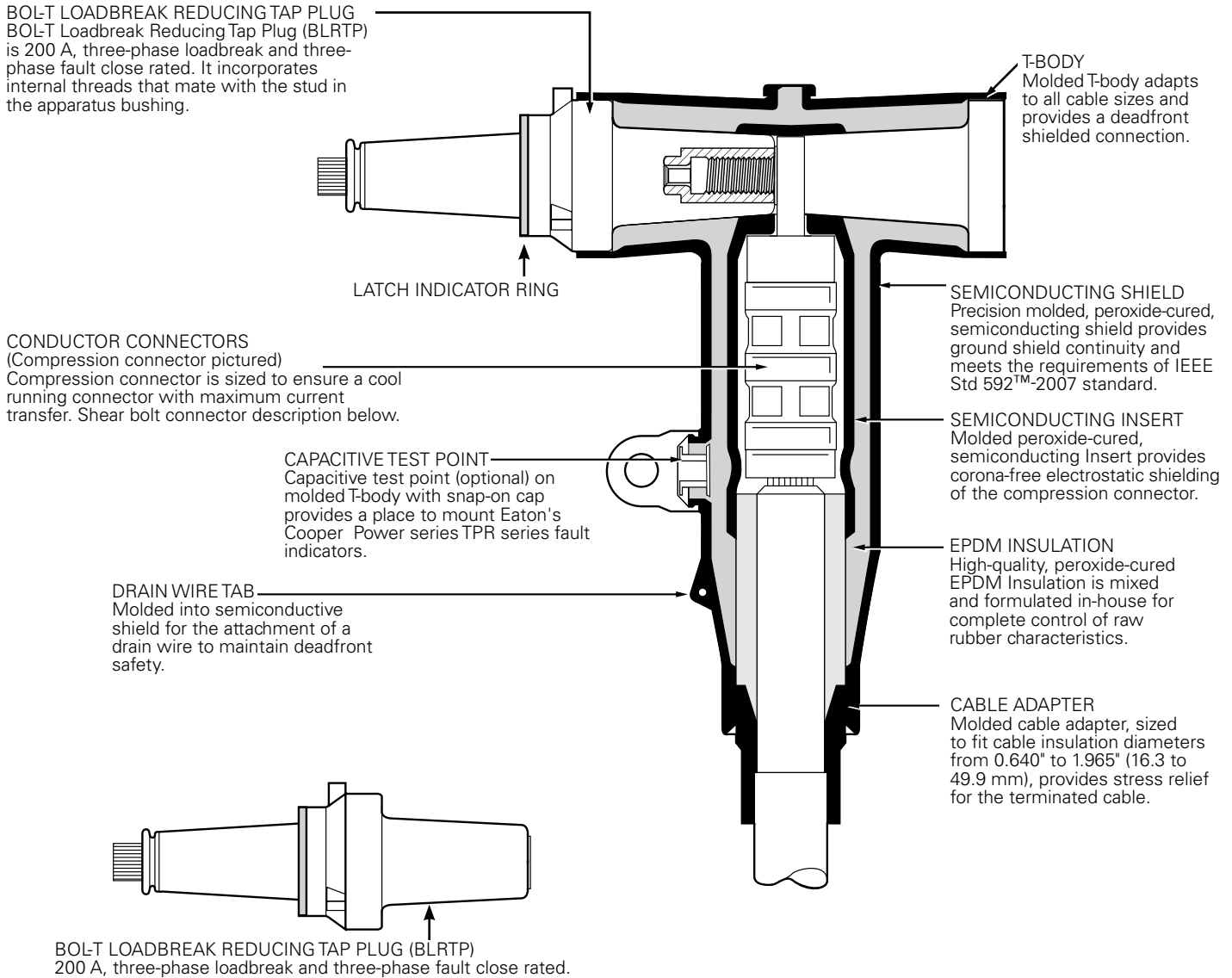


Figure 1. Cutaway drawing illustrates design features.

Optional features

Protective cap

200 A Insulated Protective Cap fits over loadbreak reducing tap plug for deadfront shielding.

Capacitive test point

Capacitive Test Point on molded T-body, with snap-on cap, provides a place to mount Eaton's Cooper Power series TPR series fault indicators.

Shear bolt connector

Bolted cable lug is fitted with stepless bolts, which shear off when optimum contact force has been reached. Provides electrical continuity for copper and aluminum conductors while eliminating need for dies and compression tools.



Figure 2. Shear bolt connector.

BT-TAP Connector Kit – Catalog Numbering System

Build the 12 digit catalog number for a 25 kV BT-TAP Connector Kit by following the steps given below. The first 6 digits are always "BTP625"; only digits 7 through 12 need to be selected.

1	2	3	4	5	6	7	8	9	10	11	12	13	14
B	T	P	6	2	5								

Catalog number digits:

- 1, 2 & 3 = "BTP", BT-TAP Connector System
- 4 = "6", 600 A System
- 5 & 6 = "25", 25 kV Class Bushing Interface

Step 1 – Select Digits 7 and 8 Cable Adapter Range Code

Determine the cable’s diameter over the electrical insulation as shown in Figure 4 (including tolerances).

Then identify a cable range from Table 3 that covers the minimum and maximum insulation diameters.

Select the correct CABLE RANGE CODE from Table 3.

Table 3. Cable Diameter Range

Cable Diameter Range		
Inches	mm	Code
0.610-0.970	15.5-24.6	AB
0.750-1.080	19.1-27.4	CC
0.970-1.310	24.6-33.3	DD
1.090-1.470	27.7-37.3	EE
1.260-1.640	32.0-41.7	FF
1.360-1.710	34.5-43.4	GG
1.510-1.850	38.4-47.0	HH
1.700-1.970	43.2-50.0	JJ

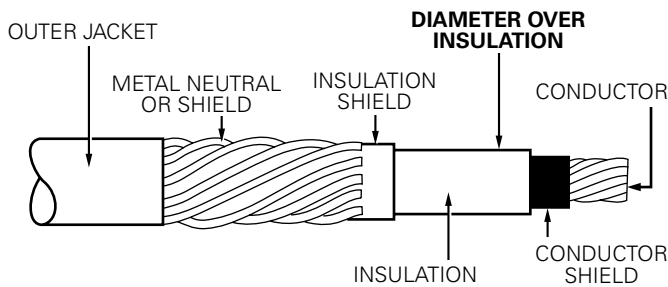


Figure 3. Illustration showing typical construction of medium voltage underground cable.

Step 2 – Select Digits 9 and 10 Conductor Code

Identify the conductor size and type in Table 4 and select the CONDUCTOR CODE from the appropriate (compression or shear bolt) column.

Step 3 – Select Digit 11

Determine whether 600 A or 900 A rating is required. The shear bolt connector is only available as a 600 A aluminum connector.

"A" = 600 A Rating (Aluminum Compression or Shear Bolt Connector, Aluminum Stud, and Aluminum Reducing Tap Plug)

"C" = 900 A Rating (Coppertop Compression Connector, Copper Stud, and Copper Reducing Tap Plug)

Step 4 – Select Digit 12

Determine if a standard length or extended length stud is required.

S = Standard Length

L = Extended Length

Step 5 – Select Digit 13 (optional)

Determine if the T-body should have a test point.

T = Test Point on T-body

If no test point is required, do not include a 13th digit.

Step 6 – Select Digit 14 (optional)

Determine whether a 25 kV, 200 A protective cap is required in the kit.

C = Protective Cap

If no cap is required, do not include a 14th digit.

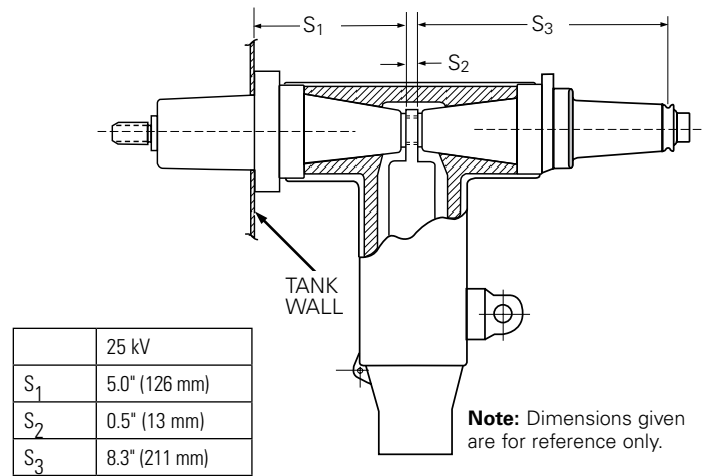


Figure 4. BT-TAP profile and stacking dimensions from Figure 11A of IEEE Std 386™-2006 standard.

Table 4. Conductor Size and Type

Compression Connector					Shear Bolt Connector							
Concentric or Compressed		Compact or Solid		Compression Conductor Code	AWG or Kcmil			mm² Stranded & Compressed		Shear Bolt Conductor Code	Catalog Number	
AWG or kcmil	mm²	AWG or kcmil	mm²		Concentric	Compressed	Compact	min	max			
No Connector					0	3/0	3/0	3/0				
#2	35	1	-	11	4/0	4/0	4/0	95	150	S1	CDT630SB150	
#1	-	1/0	50	12	250	250	250					
1/0	50	2/0	70	13	-	-	350					
2/0	70	3/0	-	14	350	350	-	185	300	S3	CDT630SB300	
3/0	-	4/0	95	15	500	500	500					
4/0	95	250	120	16	600	600	600					
250	120	300	-	17	-	-	700	400		S4	CDT630SB400	
300	-	350	-	18	700	700	-					
350	-	400	185	19	750	750	750					
400	185	450	-	20	-	800	800					
450	-	500	240	21	-	-	900					
500	240	600	300	22								
600	300	700	-	23								
650	-	750	-	24								
750	-	900	-	25								
900	-	1000	500	26								
1000	500	-	-	27								
1250	630	-	-	28								

Effective January 2015

To order replacement parts and tools, refer to Table 5.

To order replacement compression connectors and cable adapters for a BT-TAP connector system, see section 600-46 "Deadbreak Accessories, Tools and Replacement Parts."

Table 5. Replacement Parts and Tools

Description	Catalog Number
T-body without Test Point	DT625
T-body with Test Point	DT625T
Hex Wrench	HD625
Aluminum Stud	STUD-A
25 kV, 200 A Insulated Protective Cap	LPC225
25 kV, 200 A POSI-BREAK™ Insulated Protective Cap	PLPC225
BOL-T Loadbreak Reducing Tap Plug "BLRTP", aluminum	BLRTP625A
BOL-T Loadbreak Reducing Tap Plug "BLRTP", copper	BLRTP625C
BOL-T Loadbreak Reducing Tap Plug "BLRTP", aluminum with stud	BLRTP625AS
BOL-T Loadbreak Reducing Tap Plug "BLRTP", aluminum with stud, Factory installed	BLRTP625ASP
BOL-T Loadbreak Reducing Tap Plug "BLRTP", copper with stud	BLRTP625CS
BOL-T Loadbreak Reducing Tap Plug "BLRTP", copper, Factory installed	BLRTP625CSP
Aluminum Stud, Extended Length	STUDAL
Copper Stud, Standard Length	STUD-C
Copper Stud, Extended Length	STUDCL

Note: The standard packaging for the BLRTP is a sealed plastic bag. Add "X" to the end of the catalog number for an individual box.

This page intentionally left blank.

Eaton

1000 Eaton Boulevard
Cleveland, OH 44122
United States
Eaton.com

2300 Badger Drive
Waukesha, WI 53188
United States
Cooperpower.com

© 2015 Eaton
All Rights Reserved
Printed in USA
Publication No. CA650001EN

Eaton, Cooper Power, BOLT-TOP, POSI-BREAK, and BT-TAP are valuable trademarks of Eaton in the U.S. and other countries. You are not permitted to use these trademarks without the prior written consent of Eaton. IEEE Std 386™-2006 and IEEE Std 592™-2007 standards are trademarks of the Institute of Electrical and Electronics Engineers, Inc., (IEEE). This publication is not endorsed or approved by the IEEE.

For Eaton's Cooper Power series BT-TAP deadbreak connector product information call 1-877-277-4636 or visit: www.cooperpower.com.