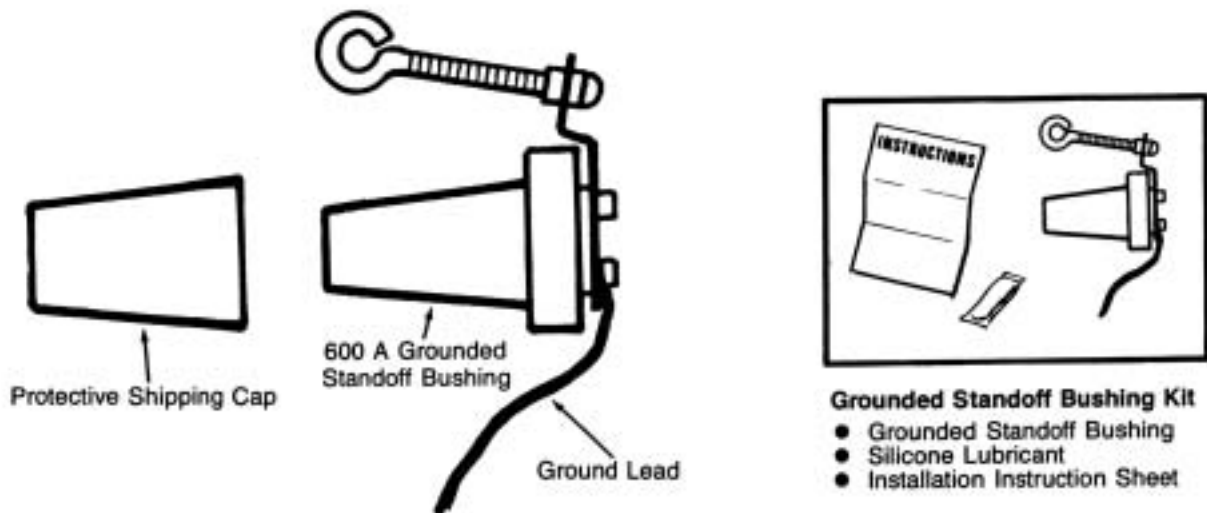


# RTE 600 AMPERE DEADBREAK GROUNDED STANDOFF BUSHING

## 15 & 25 kV and 35 kV Class Installation Instructions

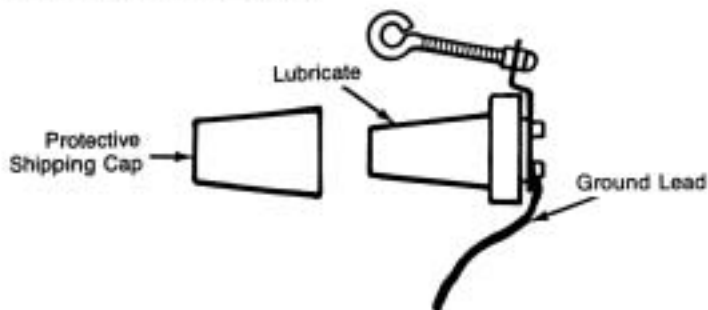


**WARNING: ALL ASSOCIATED APPARATUS MUST BE DE-ENERGIZED DURING INSTALLATION OR MAINTENANCE.**

**CAUTION:** RTE 600 A Grounded Standoff Bushings are designed to be operated in accordance with normal safe operating procedures. These instructions are not intended to supersede or replace existing safety and operating procedures.

Grounded standoff bushings should be installed and serviced only by personnel familiar with good safety practices and the handling of high-voltage electrical equipment.

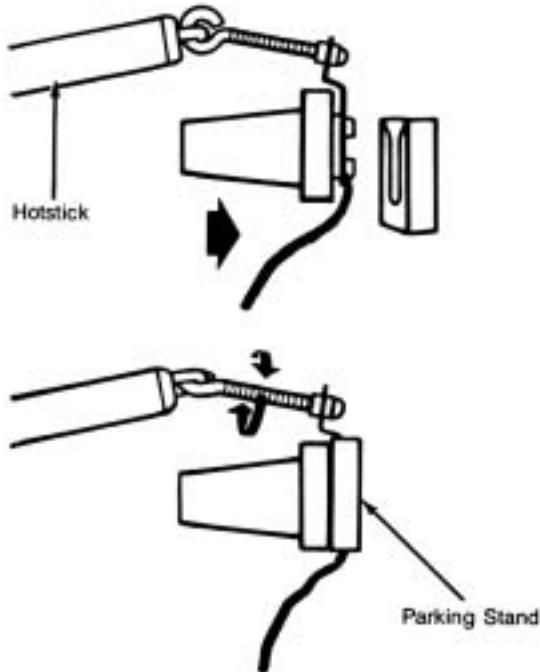
### FIGURE 1 Clean and Lubricate



- Remove protective shipping cap from bushing interface.
- Clean and lubricate interface with lubricant supplied or approved equivalent.

## FIGURE 2

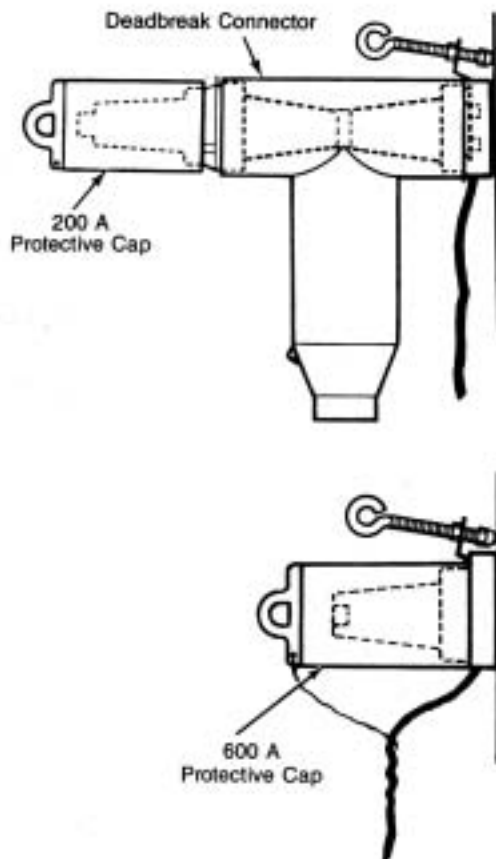
### Install Standoff Bushing



- Grasp eyebolt with hotstick.
- Lower grounded standoff bushing into parking stand.
- Turn eyebolt clockwise until grounded standoff bushing is secure.
- Connect ground lead to system ground.

## FIGURE 3

### Assemble



- Disconnect deadbreak connector from de-energized apparatus bushing.
- Use hotstick to position deadbreak connector onto grounded standoff bushing.
- Turn deadbreak connector bolt clockwise into grounded standoff bushing until tightly seated.
- Cover de-energized apparatus bushing with an insulated protective cap.
- When not in use, cover grounded standoff bushing interface with insulated protective cap or red shipping cap to keep interface clean.

**COOPER** Power Systems

P.O. Box 1640  
Waukesha, WI 53187  
www.cooperpower.com